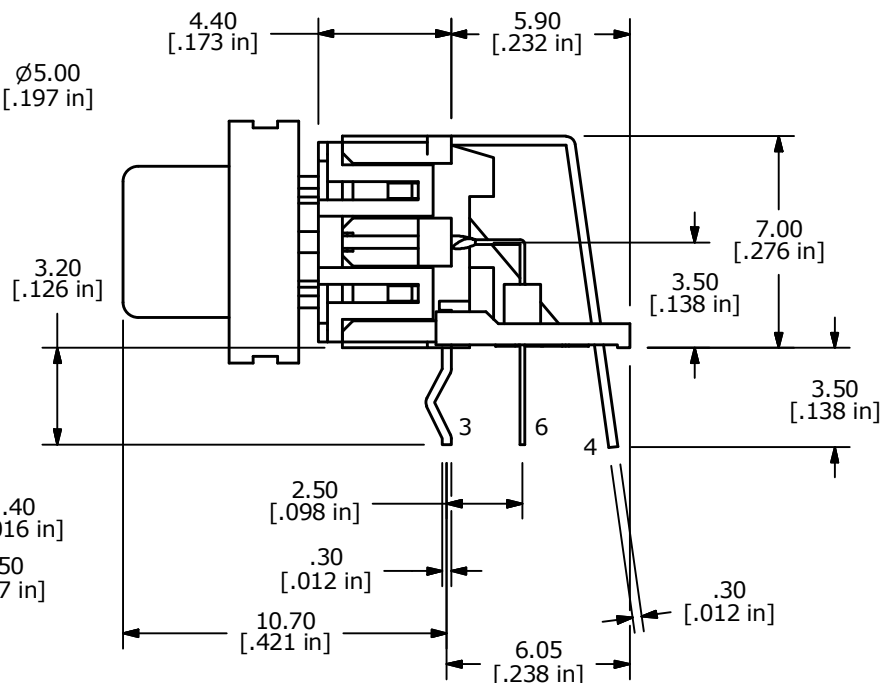
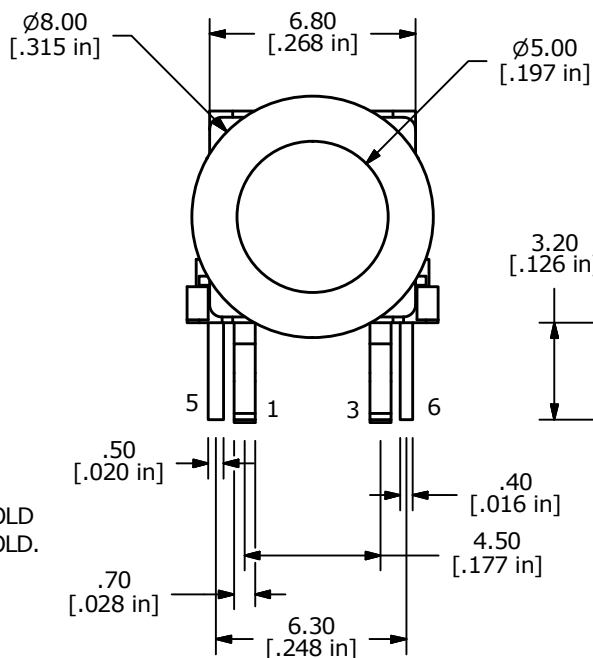
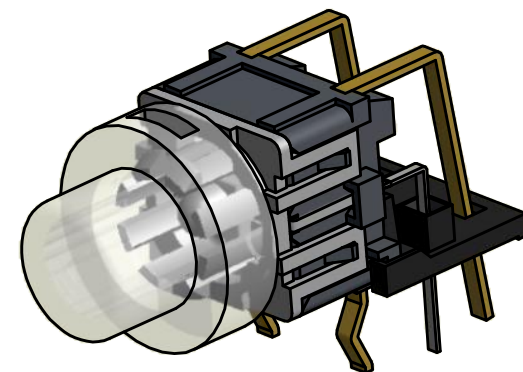
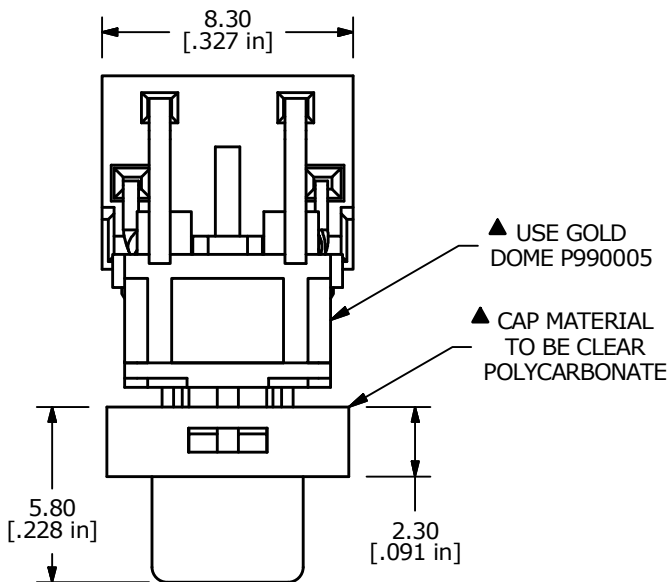


LED SPECS	UNITS	BLUE
FORWARD CURRENT	mA	20
FORWARD VOLTAGE @20mA	V	3.65-4.2
LUMINOUS INTENSITY @ 20mA	mcd	250

NOTES:

1. ALL DIMENSIONS IN MM [INCH]
2. GENERAL TOLERANCE: X.X=±0.4
X.XX=±0.25
3. RATING: 12VDC @ 50mA
4. CONTACT RESISTANCE: 100mΩ MAX.
5. INSULATION RESISTANCE: 100MΩ MIN.
6. OPERATING FORCE: 180 ± 60gf
7. TRAVEL: 0.2± 0.1mm
8. OPERATING TEMPERATURE: -20°C TO 70°C
9. OPERATING LIFE: 50,000 CYCLES
- ▲ 10. LED: BLUE
- ▲ 11. GOLD CONTACTS:
TERMINALS, 20 MICRO-INCHES MIN GOLD
MOVING CONTACT, 10 MICRO INCHES MIN GOLD.
12. ▲ DENOTES CRITICAL PARAMETERS
13. 2011/65/EU (ROHS) COMPLIANT
14. PARTS TO BE PACKAGED IN TRAYS,
100 PIECES PER TRAY.



C	23178	UPDATED NOTE ..TUBES,60 TO TRAYS,100	1/22/18	MJR
B	18422	ADD DOME P/N	02/25/09	rc
REV	PCR NO	DESCRIPTION	DATE	BY

TITLE TL1250F180BRRCLR				
SCALE	DATE	DR	DWG	REV
4:1	1/13/2009	BLR	P010813	C